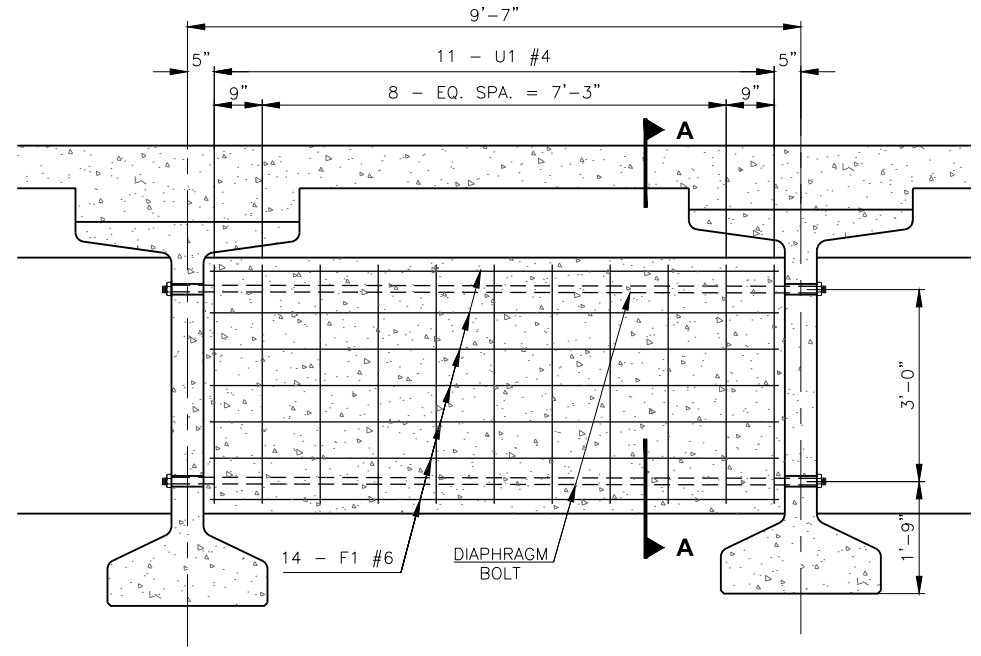
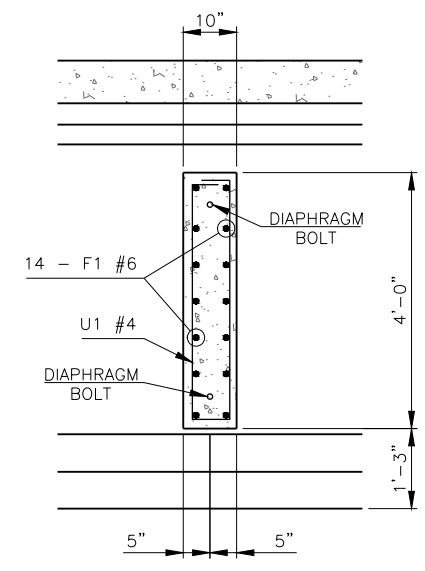


DESCRIPTION	REVISIONS	DATE

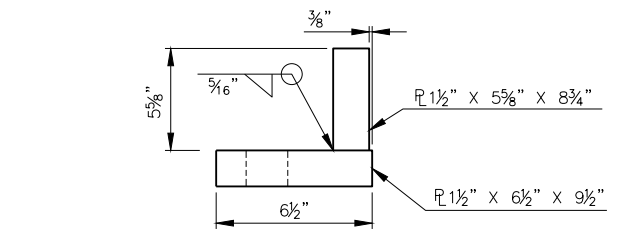
NOTE:  
PAINT THICKEST EDGE RED.  
RED FACE OF BEVEL PLATES  
SHALL FACE UPSTATION TOWARD  
ABUTMENT NO. 2.



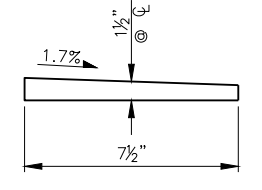
**INTERMEDIATE DIAPHRAGM**



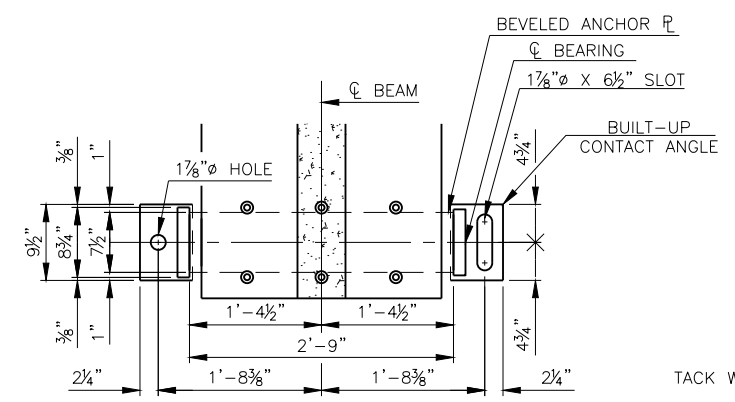
**SECTION A-A**



**BUILT-UP CONTACT ANGLE  
DETAIL**

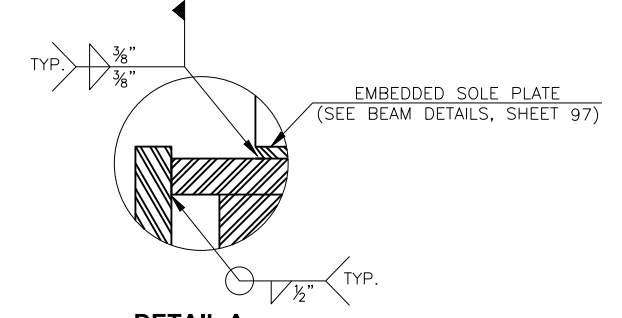


**BEVELED ANCHOR PLATE DETAIL**

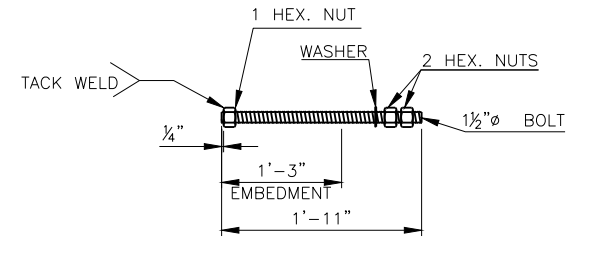


**FIX BRG.                      EXP. BRG.**

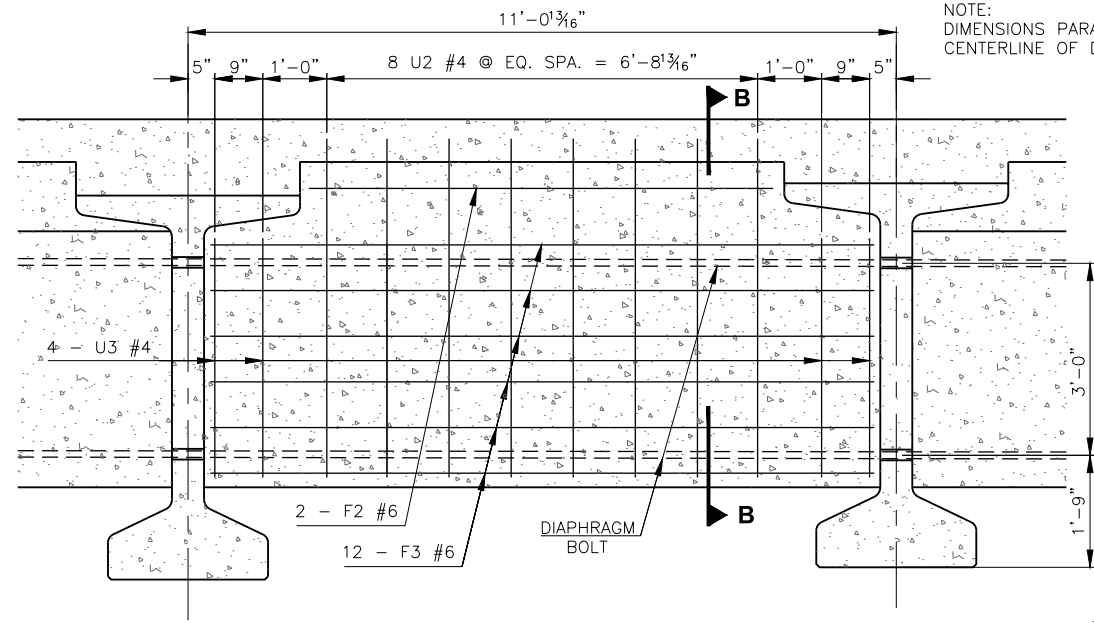
**BEARING PLAN**



**DETAIL A**

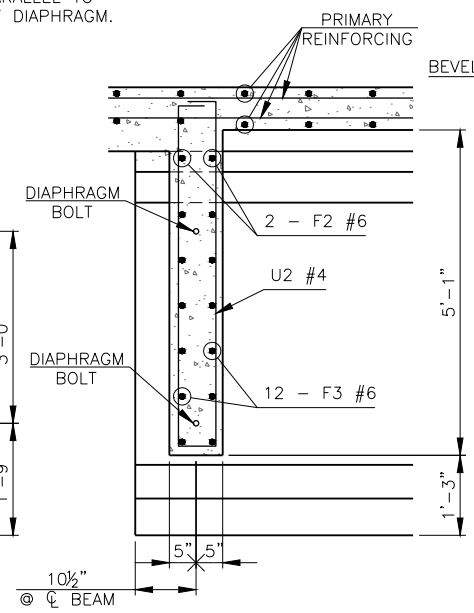


**ANCHOR BOLT DETAIL**

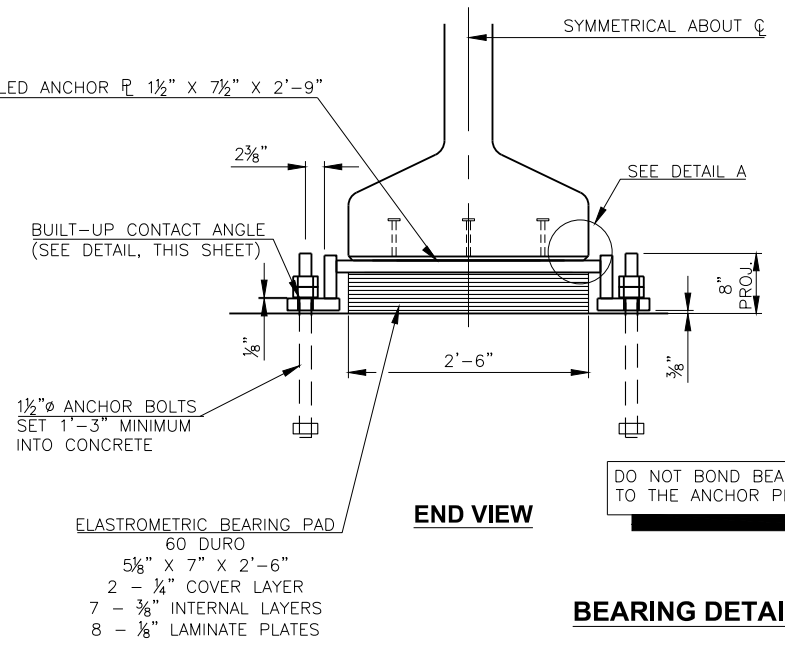


**END DIAPHRAGM**

NOTE:  
DIMENSIONS PARALLEL TO  
CENTERLINE OF DIAPHRAGM.

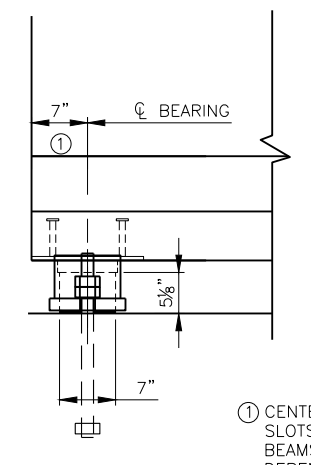


**SECTION B-B**



**END VIEW**

**BEARING DETAILS**



**SIDE VIEW**

① CENTER ANCHOR BOLTS IN SLOTS DURING SETTING OF BEAMS. DIMENSION MAY VARY DEPENDING ON TEMPERATURE OF THE BEAM SETTING.

**DIAPHRAGM DETAILS**

DESIGN	T.A.C.	OKLAHOMA CITY BOULEVARD	OKLAHOMA COUNTY
DRAWN	R.A.P.	OVER CLASSEN BLVD.	BRIDGE A & B
CHECKED	T.A.C.	<b>BEARING AND DIAPHRAGM DETAILS</b>	
APPROV.	T.A.C.		
SQUAD	CEC	JOB PIECE NO. 17428(88)	SHEET NO. 98